



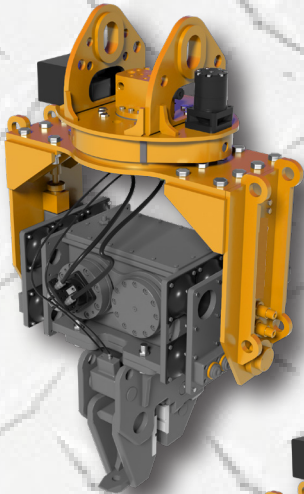
# APE VIBRATORY AUTOTILT

## DEEP FOUNDATION SOLUTION

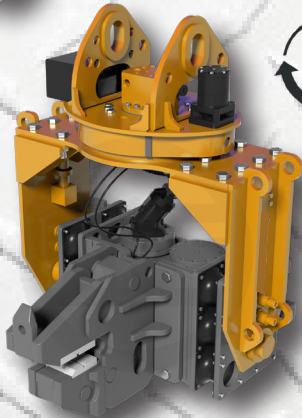
MODEL 70AT

SH40T	Metric	Imperial
Suitable Excavator	36 - 50 ton	40 - 55 US ton
Weight (Incl. Mounting cap)	2,250 kg	4,960 lbs
Extension Boom Weight	714 kg	1,575 lbs
Setting Pressure	280 bar	4,061 psi
Oil Flow	240 - 260 lpm	63 - 68 gpm
Centrifugal Force	700 kN	71 tons
Eccentric Moment	8.2 kgm	713 in-lb
Frequency	2,200 - 2,800 vpm	2,200 - 2,800 vpm
Rotation	360°	360°
Tilting Degree	90°	90°
Dimension (W x D x H)	1,435 x 900 x 2,180	57" x 35" x 86"

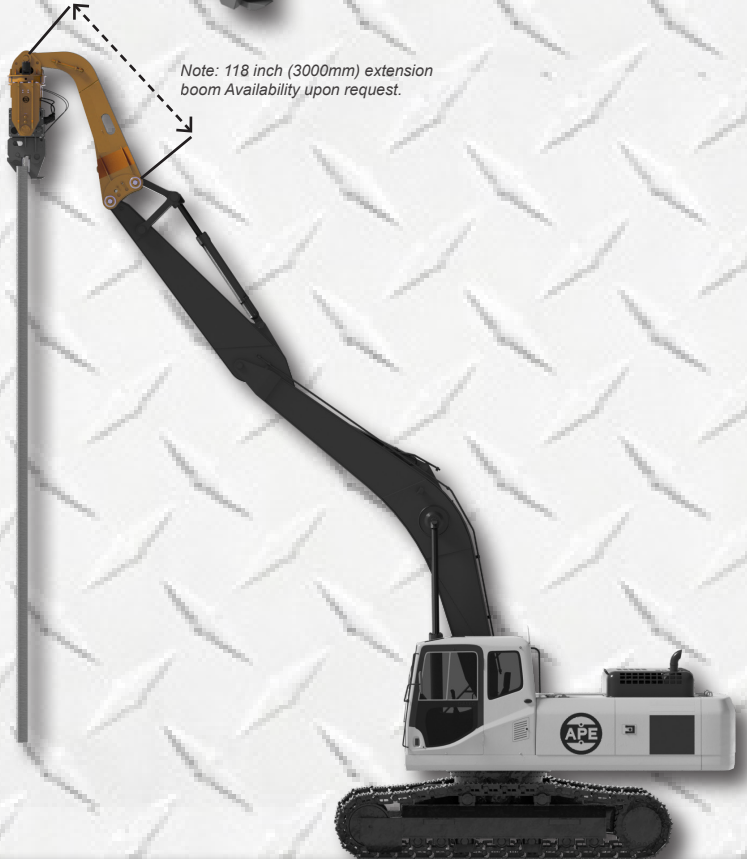
*Specifications may vary due to site conditions, specific hammer conditions or product set up.  
Specifications may change without notice.*



Vertical for Driving Piles



90° Degree Rotation for Pile Handling



Note: 118 inch (3000mm) extension boom Availability upon request.



800-248-8498

WWW.AMERICANPILEDRIVING.COM

VISIT US

